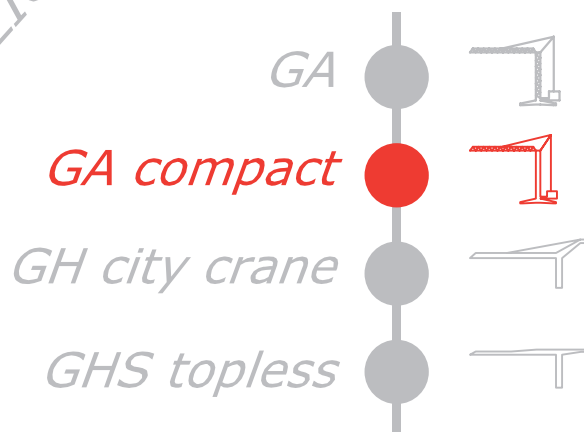


GRU A TORRE

GA 724

GRU AUTOMATICA CON
MONTAGGIO IDRAULICO



FB F.lli Butti s.r.l.

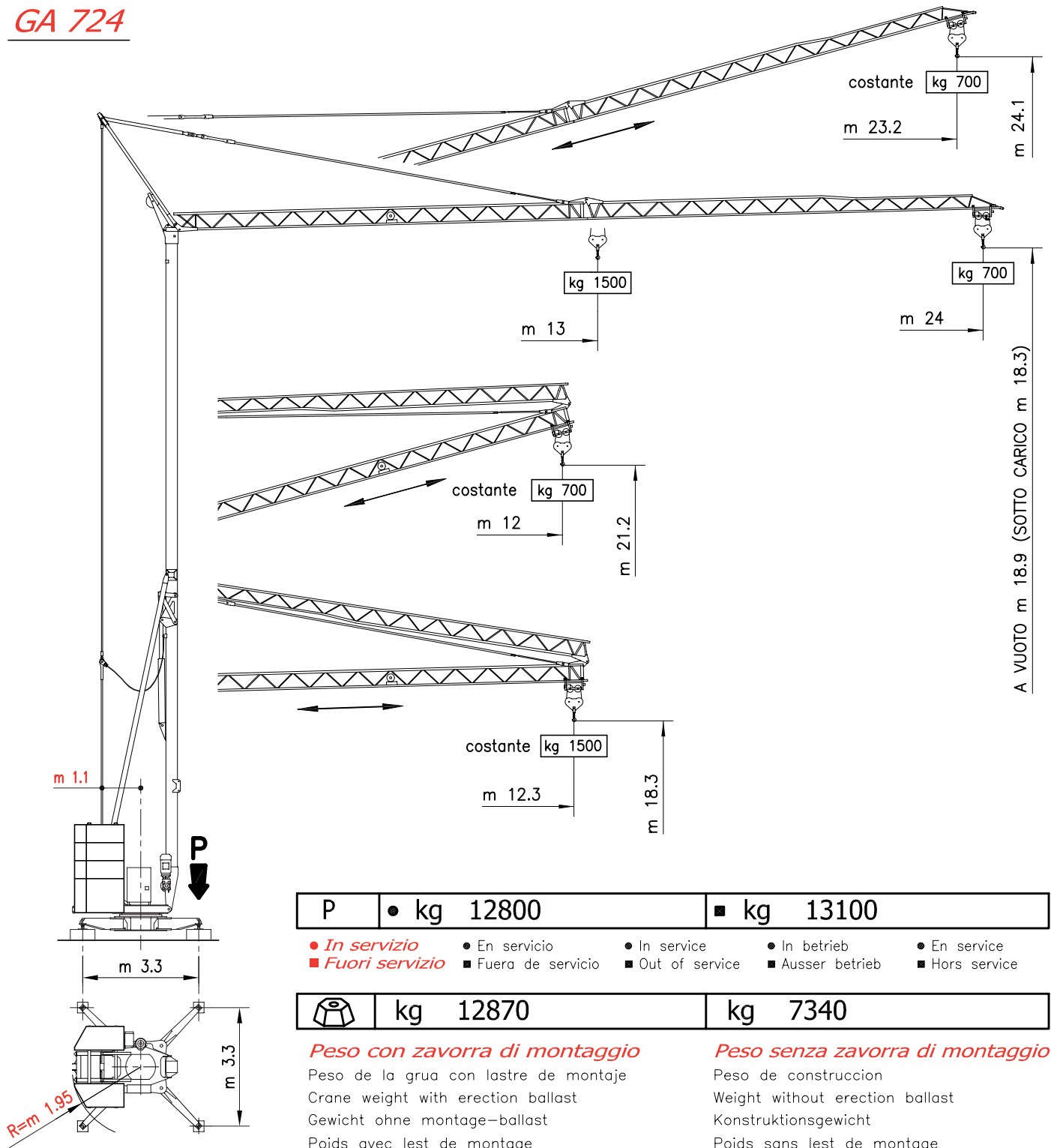
Via XXV Aprile, 58

23868 Valmadrera (LC)

Tel. 0341.581108 - Fax 0341.200253

E-mail : fbgru@fbgru.it - <http://www.fbgru.it>





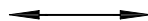
CURVE DI CARICO

CURVAS DE CARGAS — LOAD DIAGRAMS
 LASTKURVEN — COURBES DE CHARGES

m	13	14	15	16	17	18	19	20	21	22	23	24
kg	1500	1369	1263	1171	1091	1020	957	901	850	805	763	700

BRACCIO IMPENNATO

FLECHA IZADA
 LUFFING JIB
 AUSLEGER IN STEILSTELLUNG
 FLÈCHE RELEVÉE



Carrellino distributore


Carrellino distribuidor — Traversing trolley
 Verfahrbare laufkatze — Chariot distributeur

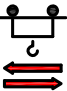
kg 700


MECCANISMI

MECANISMOS – MECHANISMS
ANTRIEBE – MÉCANISMES

MOVIMENTO MOVIMIENTO MOVEMENT BEWEGUNG MOUVEMENT	ALIMENTAZIONE ALIMENTACION OPERATING VOLTAGE BETRIEBSSPANNUNG TENSION DE SERVICE	PRESTAZIONI FUNCIONAMIENTOS PERFORMANCES LEISTUNGEN EXÉCUTIONS	POTENZA NECESSARIA POTENCIA NECESARIA POWER REQUIREMENT KRAFTE DARF PUISSANCE NÉCESSAIRE
---	---	---	---

		▷ m/1' - kg		▷▷ m/1' - kg		▷▷▷ m/1' - kg		kW 4
SOLLEVAMENTO ELEVACION – HOISTING HEBEN – LEVAGE 	230 V 50 Hz	7 ↑	9 ↓	12 ↑	14 ↓	23 ↑	24 ↓	
	INVERTER	1500		1500		700		
	400 V 50 Hz	7 ↑	9 ↓	17 ↑	19 ↓	32 ↑	34 ↓	
		1500		1500		700		

		▷ m/1'	▷▷ m/1'	kW 1
CARRELLO CARRILLO – JIB TROLLEY LAUFKATZE – DISTRIBUTION 	230/400 V 50 Hz	15	34	
INVERTER				

		▷ g/1'	▷▷ g/1'	kW 1.5
ROTAZIONE ROTACION – SLEWING DREHEN – ORIENTATION 	230/400 V 50 Hz	0 → 0.25	0.25 → 0.92	
INVERTER				



Conforme alle direttive
CEE sul livello acustico
2000/14/CE

Conforme con las directivas
CEE sobre el nivel acustico

In compliance with the EEC
instructions on noise level

Gemäss EWG-Richtlinien für
den Schall-Leistungspegel

Conforme aux directives CEE
sur le niveau acoustique

POTENZA RICHIESTA

POTENCIA-ELECTRICA NECESARIA – NECESSARY ELECTRIC POWER
KRAFTBEDARF – PUISSANCE ELECTRIQUE NECESSAIRE

ALIMENTAZIONE MONO-TRIFASE MONO-TRIFASICA SINGLE PHASE EIN-DREIPHASIGE MONO-TRIPHASE	SOLLEVAMENTO ELEVACION HOISTING HEBEN LEVAGE kg 1500
TRIFASE TRIFASICA THREE PHASE DREIPHASIGE TRIPHASE	6.5 kw 400 V - 50 Hz
MONOFASE MONOFASICA MONO PHASE EINPHASIGE MONOPHASE	3 kw 230 V - 50 Hz

Con riserva di modifiche

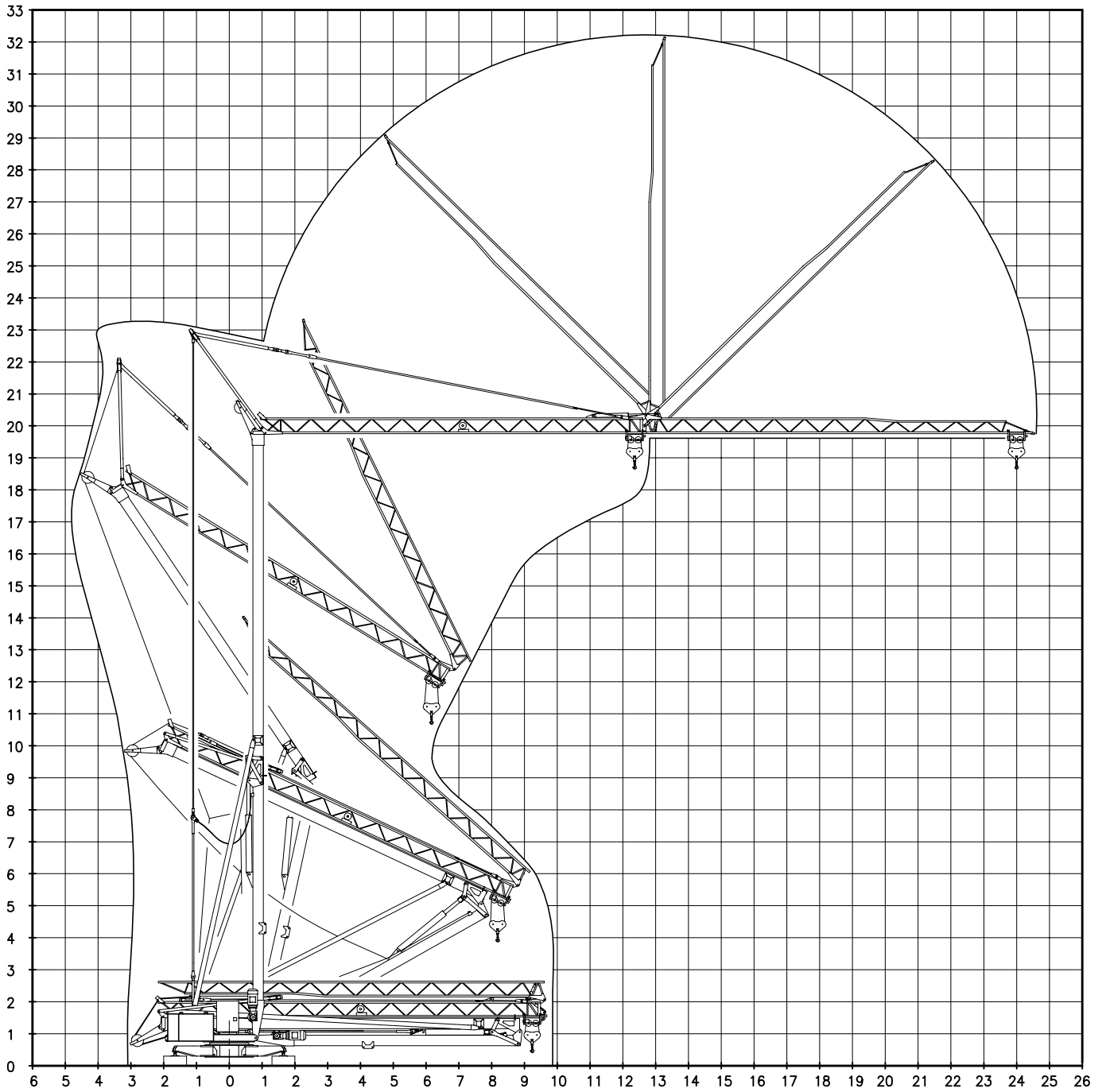
Derecho de modificaciones reservadas

Subject to change without notice

Anderungen vorbehalten

Modifications réservées

MONTAGGIO MONTAJE — ERECTION
MONTAGE — MONTAGE



TRASPORTO TRANSPORTE — TRANSPORT
TRANSPORT — TRANSPORT

